

## PRECOAT CANDLE FILTER

For small- and medium batch filtration of beverages and other sensitive liquids



### Applications

The SECUJET® was especially designed for small and medium producers or for the processing of smaller batches within larger operations. Main applications are filtration of beer, wine, other beverages as well as other liquids with strict hygienic requirements.

### Advantages

- User friendly, easy to operate
- High flow rates
- Low capital investment costs
- High pressure stability
- Very low maintenance – no moving parts, no internal seals
- Easy cleaning – no need to open filter for D.E. discharge and rinsing
- Very low product loss because of residual filter elements
- Integrated frequency controlled process pump
- Filter vessel is fully certified according to DGR/PED

### Characteristics

The SECUJET® is a compact precoat candle filter, completely skid-mounted on wheels. It incorporates the patented STABOX® filter candle technology. It can be operated with Diatomaceous Earth («Kieselguhr») or other Filter Aids to remove yeast cells, bacteria, and other unwanted small particles.

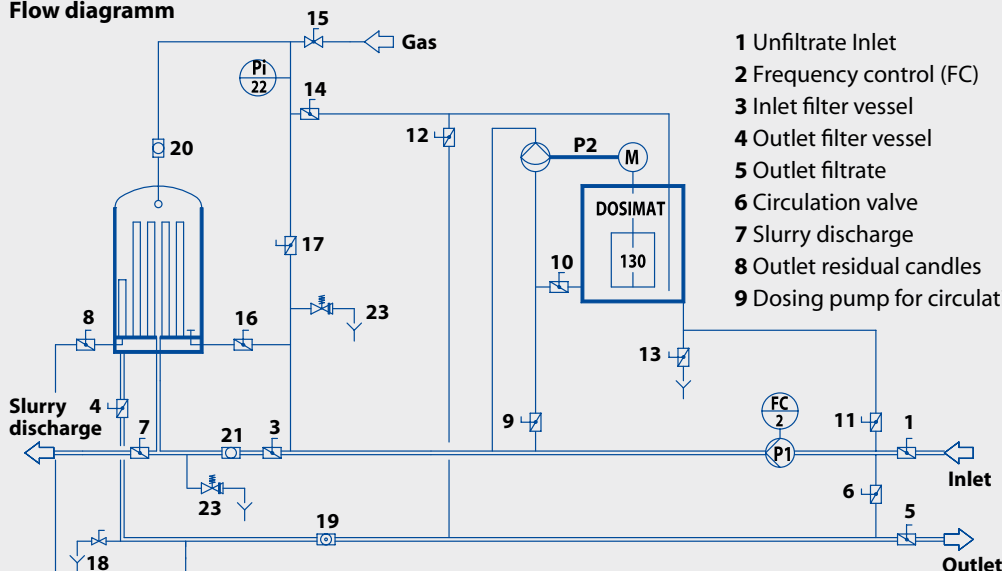


The patented FILTROX STABOX® candles with 70µ slots ensure equal distribution of filter aids and avoid breakthroughs.



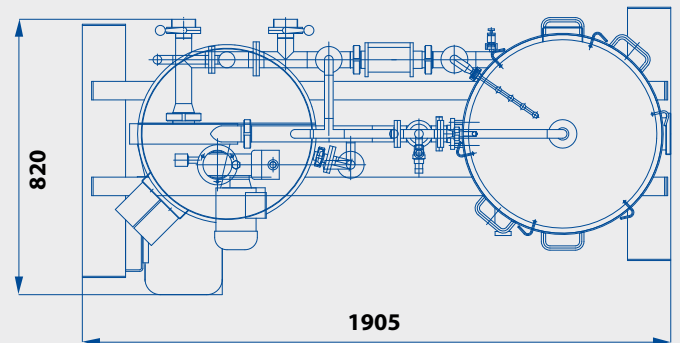
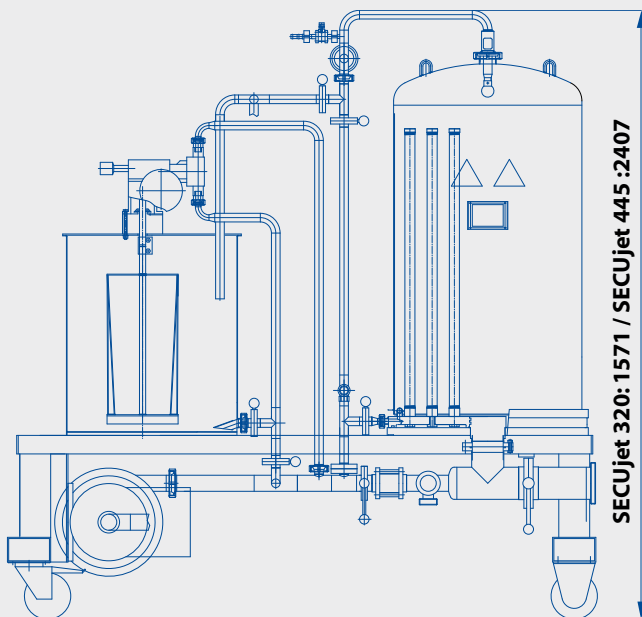
Base plate with candles. The short candles for residual filtration allow to press out the filter with air/gas in order to minimize product losses.

### Flow diagram



- |                               |                                      |
|-------------------------------|--------------------------------------|
| 1 Unfiltrate Inlet            | 10 Dosing valve                      |
| 2 Frequency control (FC)      | 11 Quick precoat valve               |
| 3 Inlet filter vessel         | 12 Recirculation dosing vessel       |
| 4 Outlet filter vessel        | 13 Discharge dosing vessel           |
| 5 Outlet filtrate             | 14 Venting                           |
| 6 Circulation valve           | 15 Air/CO2 valve                     |
| 7 Slurry discharge            | 16 Spray ring                        |
| 8 Outlet residual candles     | 17 Spray ball                        |
| 9 Dosing pump for circulation | 18 Sample valve                      |
|                               | 19 Flow meter + Sight glass filtrate |
|                               | 20 Sight glass venting               |
|                               | 21 Sight glass unfiltrate            |
|                               | 22 Pressure gauge                    |
|                               | 23 Safety valve                      |
- P1 Process pump  
P2 Dosing pump / stirrer

Type	Secujet 60 / 445 General Version	Secujet 60 / 445 BF Special Version for Beer Filtration	Secujet 60 / 320 General version
Pressure	0 – 6 bar	0 – 6 bar	0 – 6 bar
Operating Temperature	0 – 100° C	0 – 100° C	0 – 100° C
Max. flow rate	20 hl / m <sup>2</sup> / h	5 hl / m <sup>2</sup> / h	20 hl / m <sup>2</sup> / h
Min. flow rate	2,5 hl / m <sup>2</sup> / h	2.5 hl / m <sup>2</sup> / h	2.5 hl / m <sup>2</sup> / h
Slurry volume	158 l	158 l	110 l
Pump speed	41 – 170 hl / h	27 – 110 hl / h	27 – 110 hl / h
Filter Area	8.4 m <sup>2</sup>	8.4 m <sup>2</sup>	5.6 m <sup>2</sup>
Volume of dosing tank	130 l	130 l	130 l
Speed of stirrer in dosing tank	86 – 91 U / min	38 U / min	95 – 114 U / min
Performance of dosing pump	0.75 kW	0.75 kW	0.75 kW
Dosing flow rate	25 – 380 hl / h	16 – 160 hl / h	16 – 160 hl / h
Performance of process pump	7.5 kW	5.5 kW	5.5 kW
Weight of base plate with candles	156 kg	156 kg	135 kg
Weight of hood	94 kg	94 kg	74 kg
Weight of complete unit (empty)	606 kg	606 kg	566 kg
Weight of complete unit (operating)	1250 kg	1250 kg	1125 kg



### FILTROX Quality control

FILTROX ensures the best quality control according to international standards:

- ISO 9001, ISO 14001
- Pressure vessel certificates DGR 97/23/EG Art. 3 Abs. 3
- AD-2000
- Manufacturing according to good engineering practice
- FILTROX employs only certified welders and all pressure vessel welds are X-rayed

Your FILTROX dealer:

The information contained in this pamphlet is up-to-date at the time of release. However, each end user is requested to check the suitability of their product(s) with the types of filtration mentioned in this leaflet. Technical modifications are reserved.